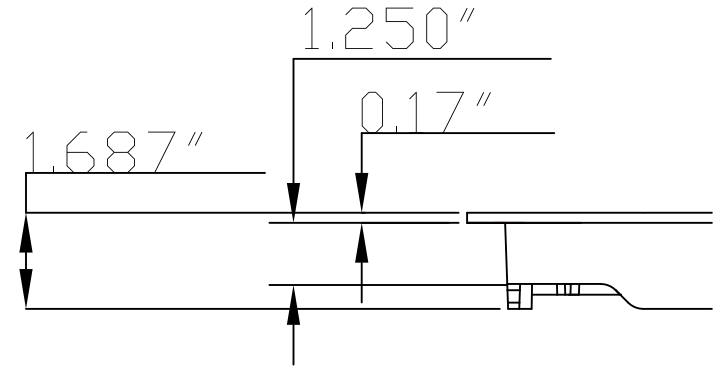
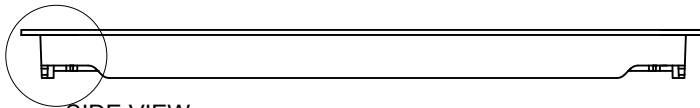


TOP VIEW



DETAIL A
SCALE 1 : 2

A



SIDE VIEW

UNLESS OTHERWISE SPECIFIED:

DIMENSIONS ARE IN INCHES (MM)

TOLERANCES:

ANGULAR: ±1

ONE PLACE DECIMAL ±.1

TWO PLACE DECIMAL ±.01

THREE PLACE DECIMAL ±.005



TITLE:

IH GrateAir 24" CAD Detail

MATERIAL

SIZE

DWG. NO.

REV

FINISH

A

IH GrateAir_24"_Detail_r0

0

DO NOT SCALE DRAWING

SCALE: 1:1

SHEET 1 OF 1