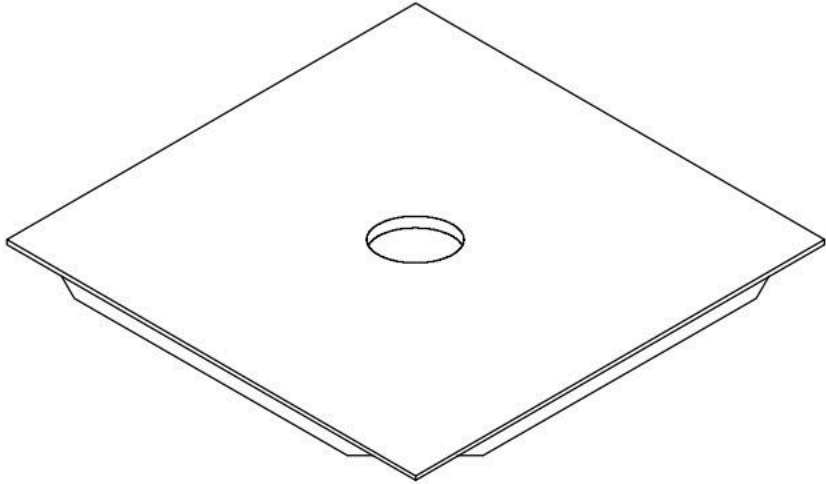
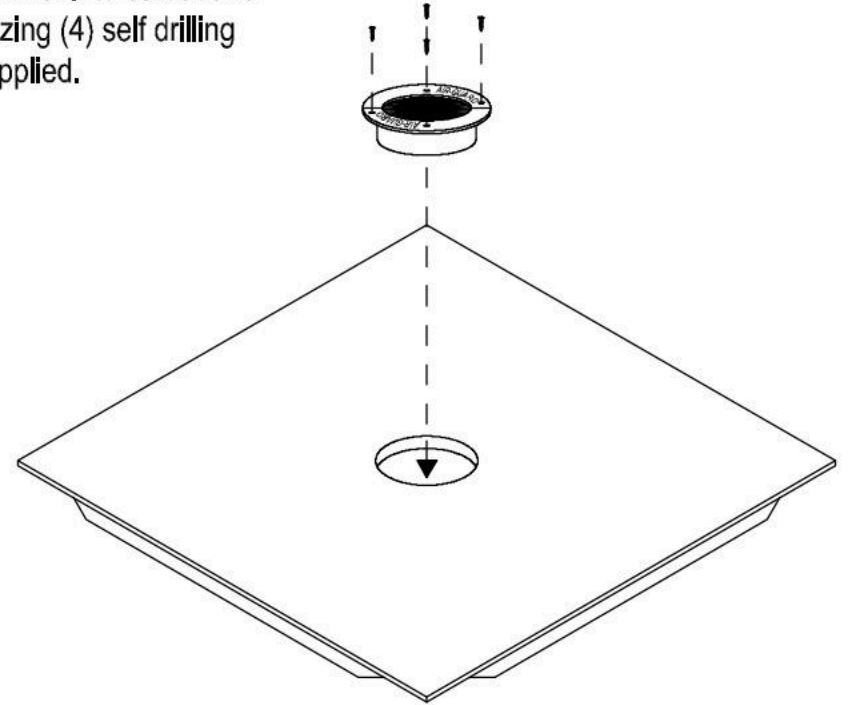


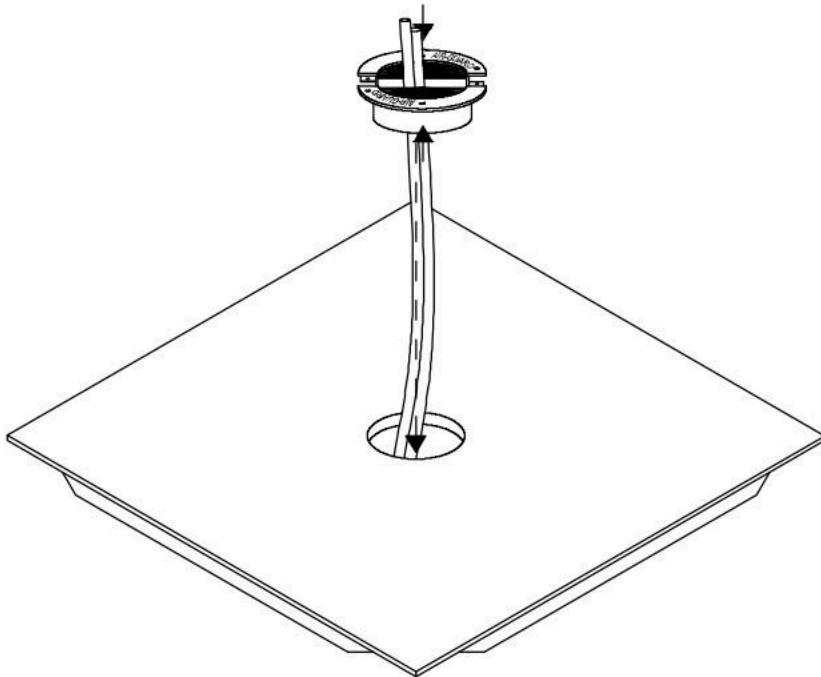
Step 1.
Cut 5.0" hole in raised floor panel. (Use
manufacturers suggested guidelines for
cutting panel)



Step 2.
Install grommet into cutout and
attach utilizing (4) self drilling
screws supplied.



Step 3.
For existing holes with cables: split grommet and clamp both sides around cables
(out of the hole), push the entire unit into the hole.



Step 4.
Attach utilizing (4) self drilling
screws supplied.

