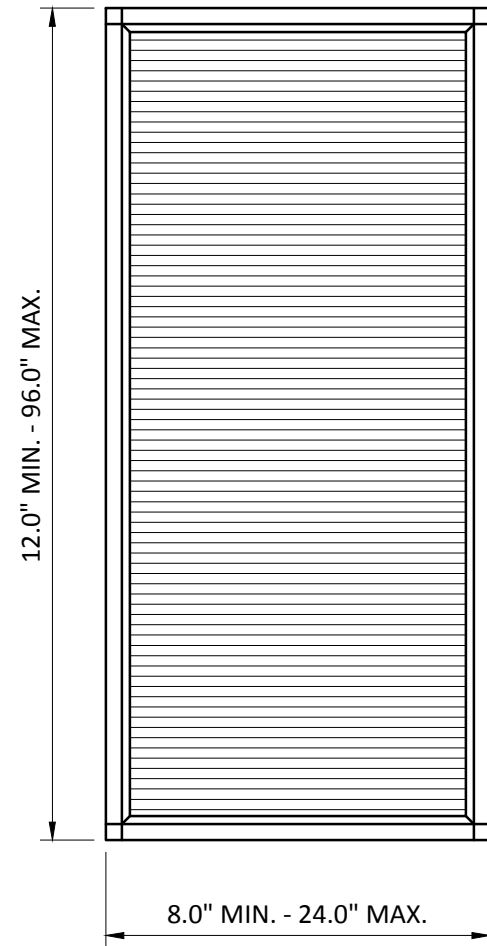
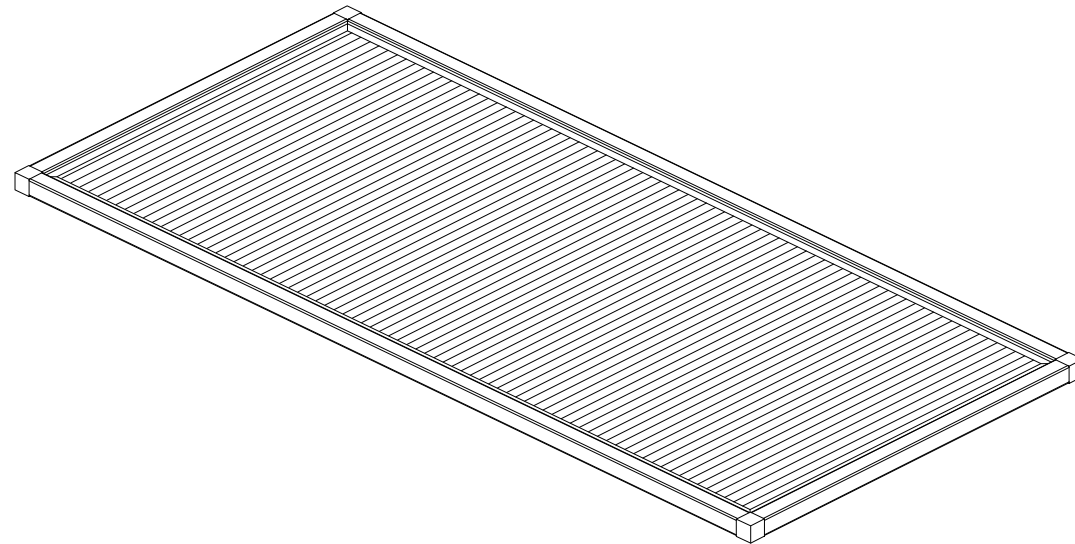


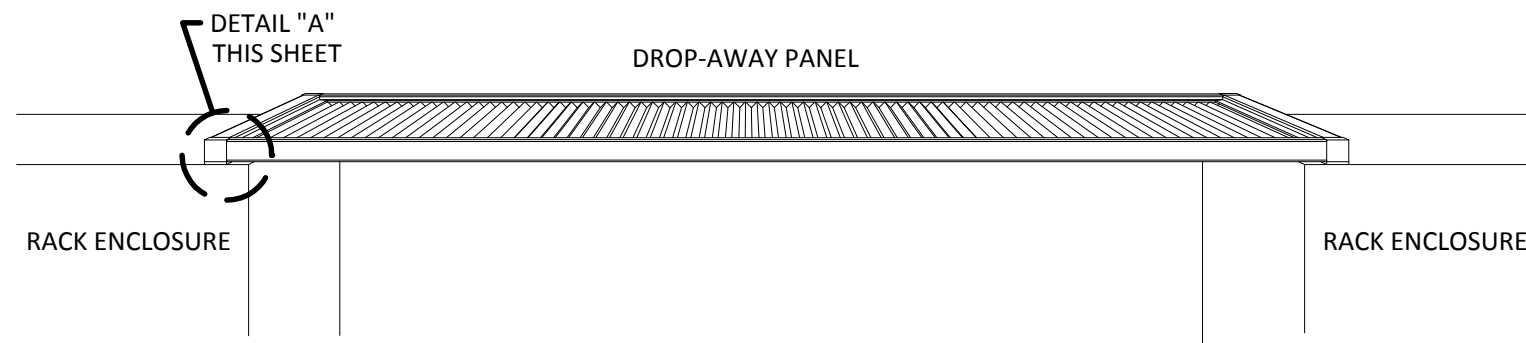
TOP VIEW
SCALE: 1" = 1'



TOP VIEW
SCALE: 1" = 1'



PERSPECTIVE VIEW
SCALE: N.T.S.



DIRECT MOUNTING - RACK ENCLOSURE
SCALE: NTS

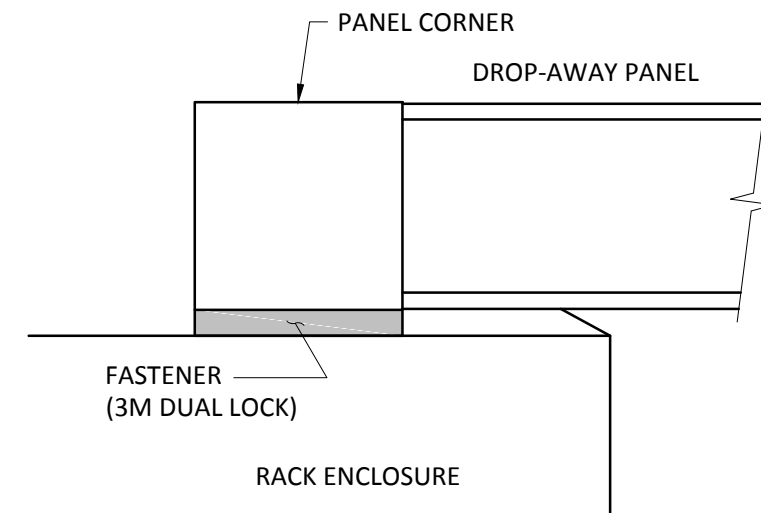
GENERAL INFORMATION

STANDARD SIZES: 4' AISLE (24"x52"), 6' AISLE (24"x76")
 CUSTOM SIZES: WIDTH (FROM 8" TO 24"), LENGTH (FROM 12" TO 96")
 WEIGHT: 4' AISLE = 6.8lbs, 6' AISLE = 9.9lbs, CUSTOM = VARIES

FRAME: CLEAR ANODIZED ALUMINUM (BLACK POWDER COAT OPTION)
 CORNER: MOLDED NYLON (BLACK)
 PANEL: POLYVINYL CHLORIDE PLASTIC (CLEAR & FROSTED OPTIONS)

DIRECT MOUNTING NOTES

1. PANEL RESTS ON TOP OF RACK ENCLOSURES TO FORM THE "ROOF" OF THE CONTAINMENT AISLE.
2. PANEL IS MOUNTED TO ENCLOSURES WITH 1"x1" 3M DUAL LOCK, ALL 4 CORNERS (TYP.). 1"x1" FLAT SURFACE (MIN.) ON ENCLOSURE REQUIRED TO ADHERE FASTENER.



DETAIL "A"
SCALE: NTS

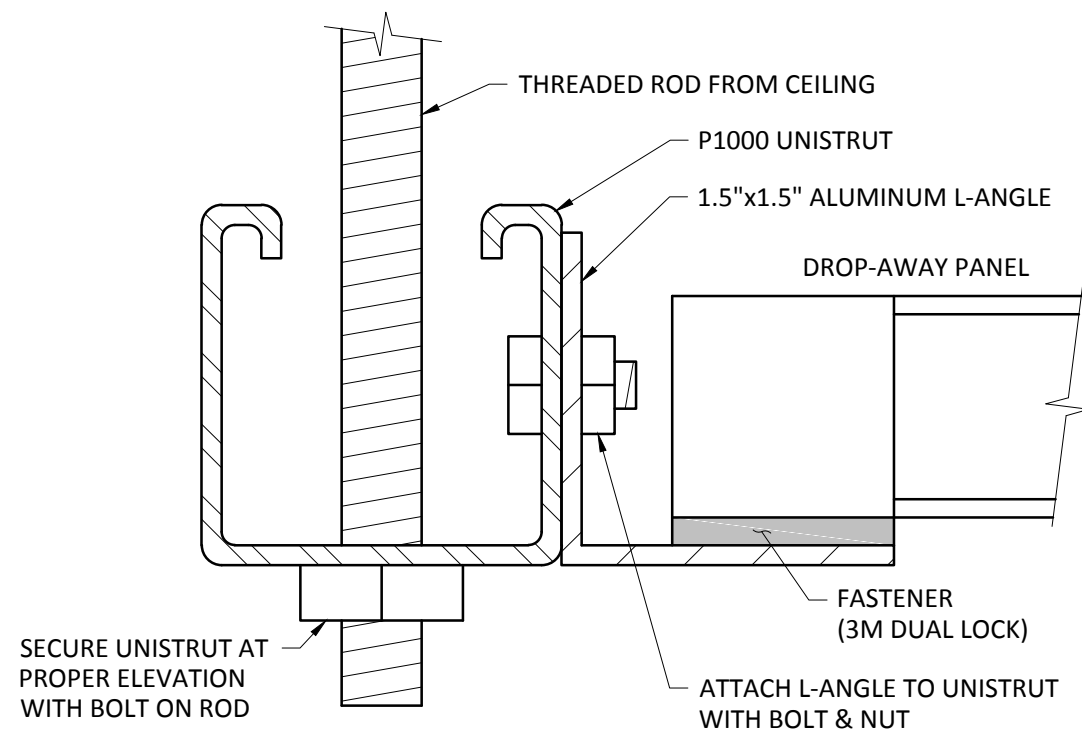
PROVIDED BY:	ITS	REVISION #:	1.0
ALT. UNITS:	-	DATE:	2/5/14
SCALE:	VARIES	SHEET:	1 OF 2

**POLARGY - POLARPLEX
 DROP-AWAY PANEL
 OVERVIEW & DIRECT MOUNTING**

REVISION	DATE
-	-
-	-
-	-
-	-



THIS DRAWING AND SPECIFICATIONS HEREIN ARE THE PROPERTY OF POLARGY, INC. AND SHALL NOT BE COPIED, REPRODUCED OR USED IN WHOLE OR IN PART, AS THE BASIS FOR THE MANUFACTURE OR SALE OF ITEMS WITHOUT WRITTEN PERMISSION FROM POLARGY, INC. THIS DRAWING IS BASED UPON LATEST AVAILABLE INFORMATION AND IS SUBJECT TO CHANGE WITHOUT NOTICE.



DETAIL "A"

SCALE: NTS



MOUNTING - FLOATING CEILING

SCALE: NTS

NOTES

1. PANEL RESTS ON TOP OF 1.5"x1.5" ALUMINUM L-ANGLE TO FORM THE "ROOF" OF THE CONTAINMENT AISLE.
2. PANEL IS MOUNTED TO L-ANGLE WITH 1"x1" 3M DUAL LOCK, ALL 4 CORNERS (TYP.).
3. THREADED ROD SIZE AND SPACING PER PROJECT REQUIREMENTS.
4. L-ANGLE ATTACHMENT BOLT SPACING PER PROJECT REQUIREMENTS.

PROVIDED BY:	ITS	REVISION #:	1.0
ALT. UNITS:	-	DATE:	2/5/14
SCALE:	VARIES	SHEET:	2 OF 2

**POLARGY - POLARPLEX
DROP-AWAY PANEL
FLOATING CEILING MOUNTING**

REVISION	DATE
-	-
-	-
-	-
-	-



THIS DRAWING AND SPECIFICATIONS HEREIN ARE THE PROPERTY OF POLARGY, INC. AND SHALL NOT BE COPIED, REPRODUCED OR USED IN WHOLE OR IN PART, AS THE BASIS FOR THE MANUFACTURE OR SALE OF ITEMS WITHOUT WRITTEN PERMISSION FROM POLARGY, INC. THIS DRAWING IS BASED UPON LATEST AVAILABLE INFORMATION AND IS SUBJECT TO CHANGE WITHOUT NOTICE.