

PEDESTAL FOR WOODCORE & CALCIUM SULPHATE SYSTEMS

AFS KIT MODEL: PWCX

DESCRIPTION

1. Steel Flat Head 3.5" Diameter with removable gasket
2. Stud 3/4" - 10 UNC
3. Nut with vibration proof locking device
4. Tube 7/8" X 16 gauge
5. Base plate 4" x 4" x 11 gauge
6. Fillet Weld

PEDESTAL SPECIFICATIONS

Pedestal Specifications

- Assembly up to 36" FFH shall provide a 6000 pound axial load without permanent deformation
- Assembly shall provide 2" total adjustment
- Electro-zinc free pedestal components and fasteners

Pedestal Head

- 8 gauge die formed galvanized steel pedestal head
- 3/4" steel stud - 10 UNC
- Stringers shall be attached with 1/4"-20 flat head screws
- Adjustment nut to be 3/4" with corrosion resistant coating
- Studs offer anti-rotation feature when engaged with the pedestal base assembly

Pedestal Base

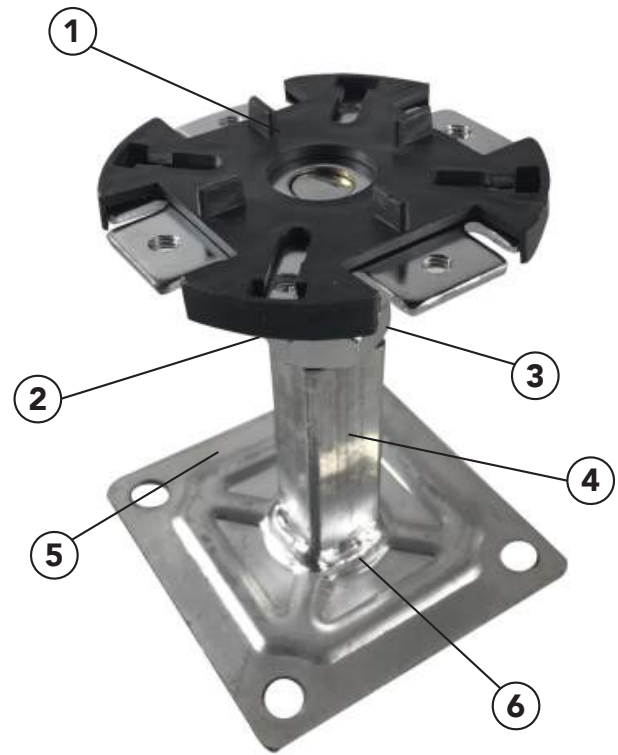
- 4" x 4" hot dipped galvanized steel
- Tube size is 7/8" X 16 gauge
- 4 ea. 7/16" diameter holes for mechanical fastening applications (non-standard)

Stringers

- Heavy duty roll formed steel stringer will withstand 450 pound mid span load
- Galvanized to prevent corrosion
- Stringer is 21.5" long and 3/4" wide
- Used in a 2' grid pattern

Perimeter

- Removable black gasket turns pedestal into flat head used in perimeter application to support cut panels, panels around walls, curbs and fascia.



Perimeter Configuration