



KoldLok® Round Floor Grommets

Part Numbers

40001 KoldLok Round 4" Floor Grommet

40003 KoldLok Round 6" Floor Grommet



Round 4" Floor Grommet
Part No. 40001



Round 6" Floor Grommet
Part No. 40003

Applications

Designed to seal openings in new and existing raised floor cutouts to block bypass airflow and maximize cooling system efficiency.

The 4" and 6" Round Grommet feature Hybrid Brush Technology (HBT), making them the premium choice for your facility. Their revolutionary sealing technology greatly reduces costly bypass airflow, increasing usable cooling unit capacity, and ensuring maximized efficiency from HVAC equipment.

Features

- The 6" Round Grommet allows for large cable bundles or PDU plugs to be pulled through the usable area
- The split feature of the KoldLok Round 4" and 6" allows product installation or removal without disturbing cables
- The Grommets contain no loose or partially fastened parts, which can become separated or fall through the raised floor
- The Grommets are impact resistant and durable
- The Grommets feature an extra sealing HBT Membrane Layer
- The Grommets satisfy NFPA 75 Section 5-4.4 requirement by self-dressing the raw metal edges of raised floor tile cable cutouts
- KoldLok products are compliant with directive 2002/95/EC of the European Parliament and the Council on the Restriction of the Use of Certain Hazardous Substances in Electrical and Electric Equipment (RoHS)
- The Grommets feature a membrane support structure
- The Grommets have a tapered joining structure

Benefits

- Supports increasing cabinet density
- Increases existing cooling unit capacity
- Reduces the need to purchase additional cooling units
- Improves IT equipment reliability and extends equipment life
- Increases static pressure under the raised floor
- Improves volume of conditioned air delivery through perforated tiles and floor grates
- Compliance with best practices for all raised floor cooling configurations (Hot and Cold Aisle, Hot Aisle Containment, Cold Aisle Containment)
- Simple, installation saves time and labor and requires no downtime. Round grommets enable hole saw installation which reduces cutting time by over 50%
- Durable ABS frame and Hybrid Brush sealing surface can be used for years

Hybrid Brush Technology (HBT)

HBT is uniquely constructed to offer:

- Flexible and highly efficient sealing membrane
- Membrane supports bristles and limits leakage
- Multi-layered construction for increased sealing effectiveness
- Better overall sealing than traditional brush designs

Specifications

| Dimensions and Tile Cutting Requirements | Inches (W x D) | Millimeters (W x D) |
|--|---------------------|-----------------------|
| Part No. 40001 - Overall size (diameter x height) | 5.61" x 1.9" | 143 mm x 48 mm |
| Product height above floor | .4" | 10 mm |
| Maximum cutout size sealed | 4.125" | 105 mm |
| Usable cable area | 9.6 sq. inch | 6,194 sq. mm |
| Hole cut diameter | 4" | 102 mm |
| Part No. 40003 - Overall size (diameter x height) | 7.56" x 1.9" | 192 mm x 48 mm |
| Product height above floor | .4" | 10 mm |
| Maximum cutout size sealed | 6.125" | 156 mm |
| Usable cable area | 22.55 sq. inch | 14,548 sq. mm |
| Hole cut diameter | 6" | 152 mm |

Patented HBT Sealing System

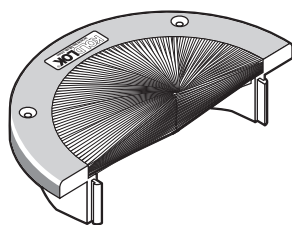
US Patent No. RE41863. Hybrid Brush Technology (HBT) design using thermoplastic elastomer creates a more effective seal than any other grommet. Tear lines minimize leakage in unused areas of the grommet when only a small number of penetrants are being used.

Sealing Effectiveness

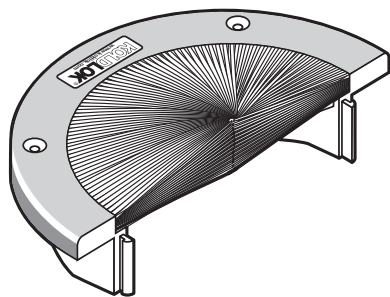
New Hybrid Brush Technology (HBT) offers exceptional sealing and airflow management, unsurpassed by other leading brush products on the market today.

Hybrid Brush Sealing Technology automatically seals around cables with no additional maintenance or monitoring required.

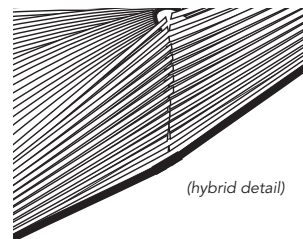
Patented design is a more effective method of sealing air flow than using brushes or filament materials alone. The best sealing round grommet available.



KoldLok
Round 4" Floor Grommet
(cross section)
Part No. 40001



KoldLok
Round 6" Floor Grommet
(cross section)
Part No. 40003



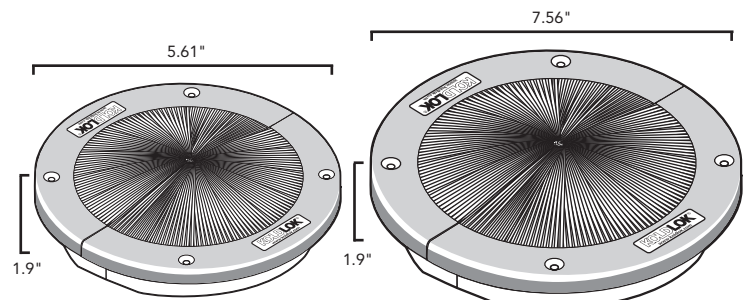
(hybrid detail)

Floor Mounting System

Four (4) self-drilling screws are provided for installation.

Grommet Frame

The frame is molded from durable ABS
Finish: Black



Round 4" Floor Grommet
Part No. 40001

Round 6" Floor Grommet
Part No. 40003



Designer and Manufacturer



985-898-0880
AccessFloorSystems.com