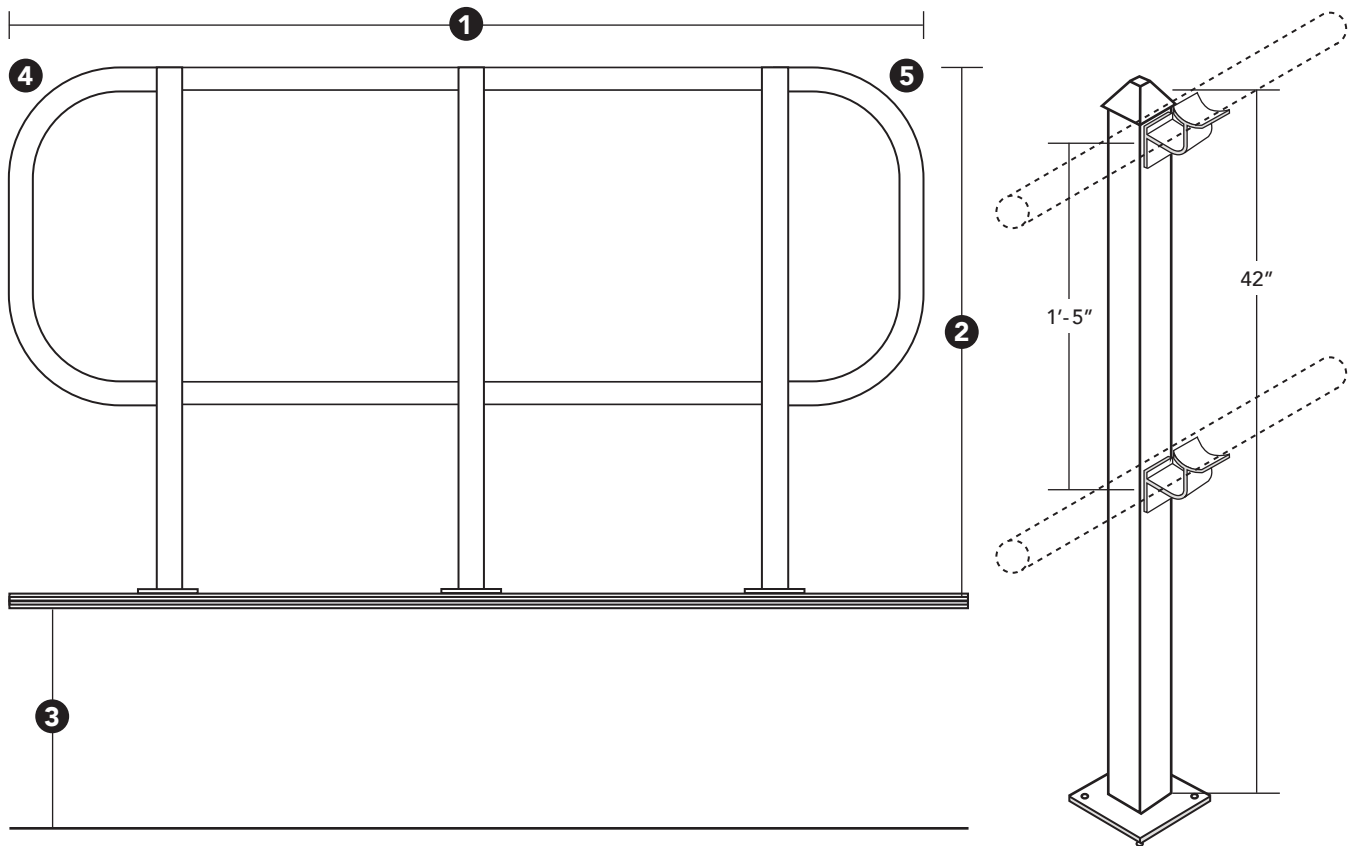


JOB \_\_\_\_\_ DATE \_\_\_\_\_

APPROVED  AS IS  AS CORRECTED APPROVED BY \_\_\_\_\_

Contractor/owner is responsible for dimensions to be confirmed and correlated to plans.



<p><b>DIMENSIONS</b></p> <p><b>1</b> Overall Length of Guard Rail <input type="text"/></p> <p><i>Note: Post Spacing Maximum is 4'</i></p> <p><b>2</b> Overall Height of Guard Rail <input type="text" value="42"/></p> <p><b>3</b> Finished Floor Height <input type="text"/></p>	<p><b>FIELD CONDITIONS</b></p> <p><b>GUARD RAIL TERMINATION</b></p> <p><b>4</b> Left <input type="checkbox"/> Wall <input type="checkbox"/> Post</p> <p><b>5</b> Right <input type="checkbox"/> Wall <input type="checkbox"/> Post</p> <hr/> <p><b>ORIENTATION</b> <input type="checkbox"/> Right <input type="checkbox"/> Left of <input type="checkbox"/> Step <input type="checkbox"/> Ramp</p>
---	--

**NOTES**

---



---



---



---