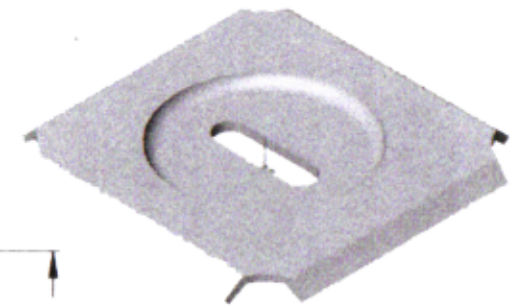
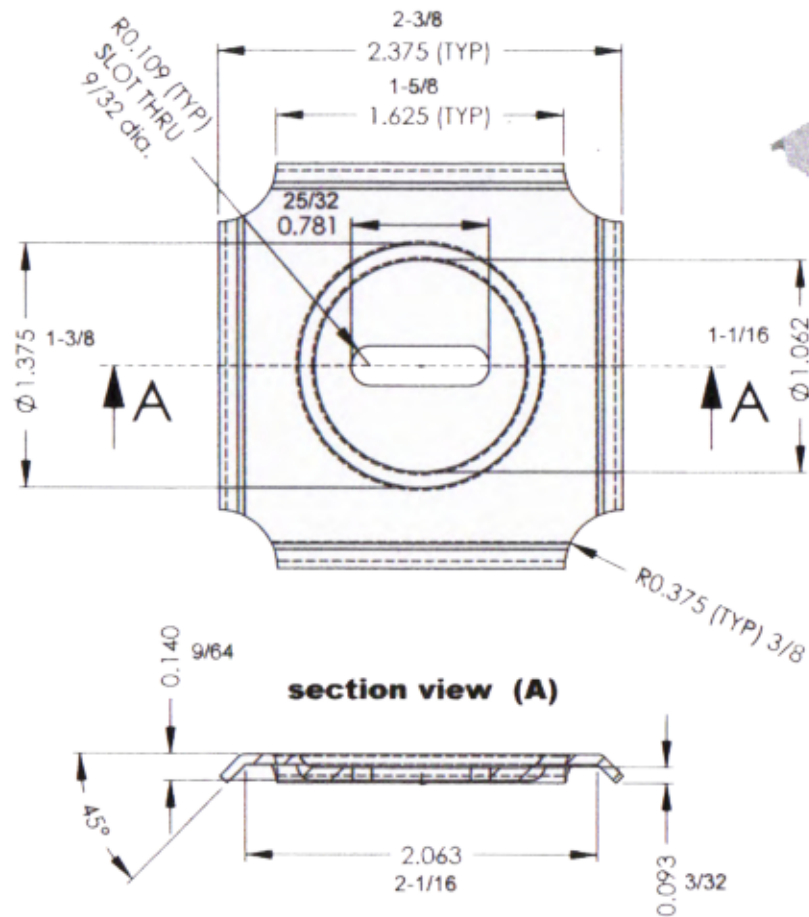



GENERAL NOTES:

- 1) MATERIAL TO BE HOT DIPPED, PRE-GALVANIZED STEEL, ASTM A641, TO AVOID THE FORMATION OF ZINC WHISKERS.
- 2) DIMENSIONAL TOLERANCES
 - A) GENERAL +/- 1/16
 - B) MATERIAL THICKNESS +/- 1/32
 - C) ANGULARITY +/- 2 DEG.
- 3) ALL UNITS INCHES
- 4) FINISH OPTIONS
 - A) SAME AS ABOVE
- 5) MATERIAL THICKNESS 13 GAGE = .0747
- 6) WEIGHT = 5 LBS / BOX
- 7) 50 SETS / BOX
- 8) 60 LBS MAX / SHIPPING BOX.
- 9) SUPPORT CLAMP SCREW (BUY ITEM)
1/4 - 20 UNC-2A SELF THREADING SCREW.



UNLESS OTHERWISE SPECIFIED: DIMENSIONS ARE IN INCHES					DEBUR AND BREAK SHARP EDGES		 985 898 0880	
REVISION	NAME	CHANGE	DATE				FILE:	FLOORFLEX GROUND CLIP
A	AF		5-12-10				DWG NO:	GR - CLIP
					MATERIAL:		SCALE: 1:1	SHEET 1 OF 1
					WEIGHT:			