

## Surface Mount Raised Floor Grommet

Part Number 2020

### Installation Guide

#### Table of Contents

- Tools and Preparation Required for Installation
- Product Components
- Installation Procedures
- General Information
- Warranty



---

#### ***Each carton contains the following items:***

- KoldLok Raised Floor Grommets **(10)**
- Mounting Kit **(10)**
- Edge-Mount Foam Strips, 10-Piece Pad **(1)**
- Product Registration Card **(1)**
- Installation Guide **(1)**

## Installation Guide

### KoldLok Surface Mount Raised Floor Grommet

---

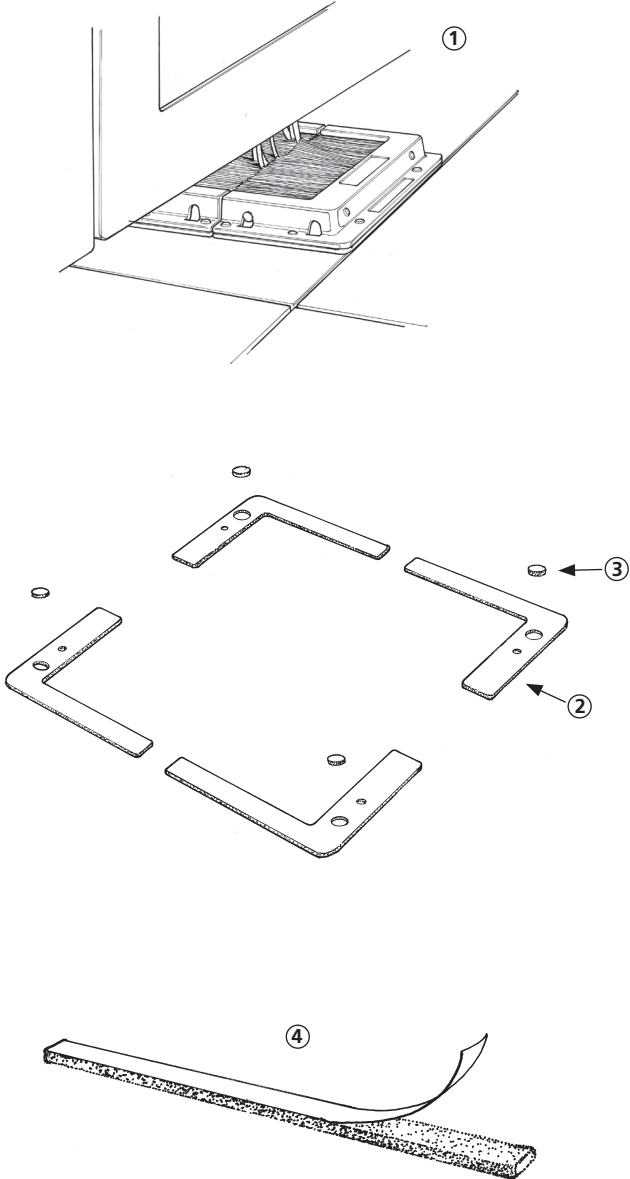
#### Tools and Preparation Required for Installation

- Remove skirts and tip plates to access the existing trimmed cable cutout that requires sealing.
  - Measure the dimensions of the cable cutout. The maximum sealing dimension of the KoldLok Surface Mount Raised Floor Grommet (including trim) is 7¼ x 10 inches (184mm x 254mm). Contact Upsite Technologies, Inc. at (888) 982-7800 for customized products and installation services designed to seal larger openings.
  - Clean the tile and bottom surface of the KoldLok Surface Mount Raised Floor Grommet. Use an alcohol wipe or a clean cotton cloth, damp with a solution of at least a 50 percent isopropyl alcohol. Helpful tip: When choosing your cleaning cloth, do not use fabric or paper that will disintegrate or leave particles that could interfere with the adhesive.
- 

#### Product Components

1. KoldLok Surface Mount Raised Floor Grommet
2. Floor Mounting Kit containing: One single-sided foam pad (identified by a green stripe) and one double-sided foam pad (identified by a red stripe)
3. Four ESD buttons
4. One foam strip with adhesive backing (for use in edge-mount installations only)

Figure 1



## Installation Guide

### KoldLok Surface Mount Raised Floor Grommet

---

## Installation Procedures

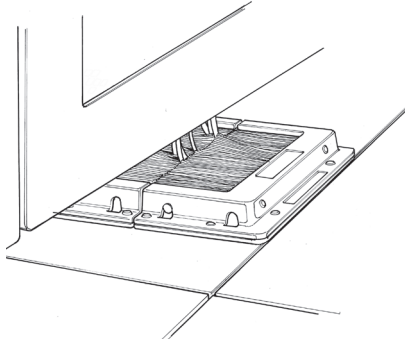
The KoldLok Surface Mount Grommet is designed to separate into two identical halves. One half will be stationary on the floor tile; the other will be removable to facilitate equipment relocation, re-cabling, and/or removal of the tile.

1. Determine which half of the KoldLok Surface Mount Grommet will be stationary and which will be removable. The removable half should always be accessible.
2. Apply the double-sided set of the Floor Mounting Kit (identified by the red stripe) to the stationary half of the Grommet by removing the backing material and pressing the exposed adhesive firmly to the bottom of the Grommet. Ensure the edge of the foam is aligned with the edge of the Grommet. Leave the second layer of backing material on the foam until the Grommet is ready to be installed on the raised floor.
3. Apply the single-sided set of the Floor Mounting Kit (identified by the green stripe) to the other half of the Grommet by removing the backing material and pressing the exposed adhesive firmly to the bottom of the Grommet. Ensure the edge of the foam is aligned with the edge of the Grommet.

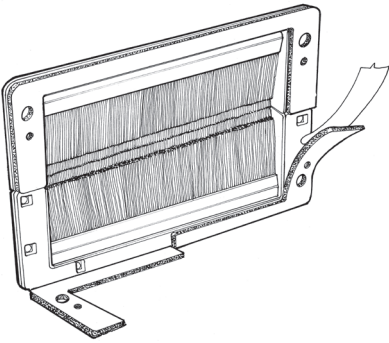
**A Note about Cutout Trim:** If part, but not all, of the Grommet edge overlaps the trim material on the cable cutout, cut part of the Floor Mounting Kit where it interferes with the cutout trim. The Grommet should rest flush with the tile in order to minimize air leakage.

4. Insert four ESD buttons in the four die-cut holes of the Floor Mounting Kit.
5. Separate halves of the Grommet by depressing the buttons on the sides of the Grommet and pulling the halves apart.
6. Remove the remaining backing material from the stationary half of the Grommet. Position the stationary half of the Grommet behind the cable bundle, aligning the cabling with the edge of the Grommet filaments. Tip: If access underneath a rack or cabinet is limited, it is helpful to perform a practice installation before exposing the protective adhesive strip.
7. Position the removable half of the Grommet in front of the cable bundle and snap the Grommet halves back together.
8. Press the Grommet onto the floor tile and ensure good adhesion to the tile.
9. If there is slack available in the cables, arrange the cables so that they are against the exposed edge of the filaments.

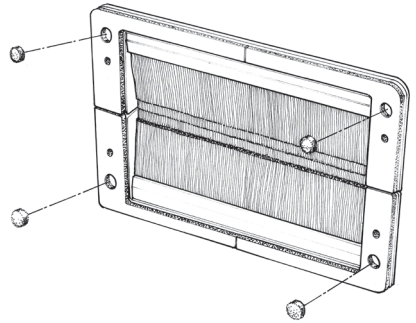
Step 1



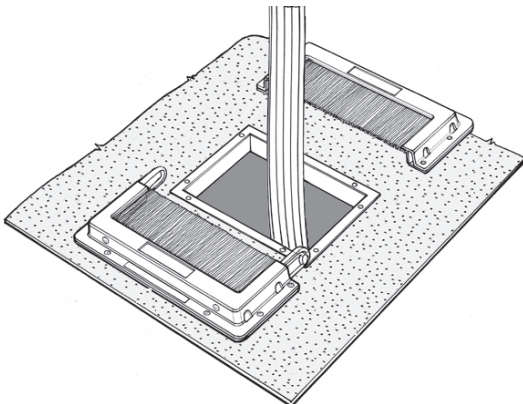
Step 3



Step 4



Step 6



## Installation Guide

### KoldLok Surface Mount Raised Floor Grommet

---

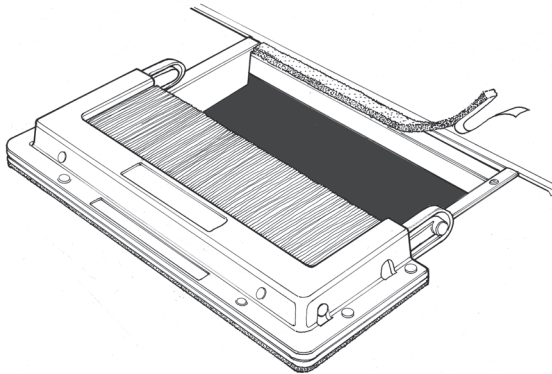
#### ***Installation of KoldLok on the Tile Edge***

If the cable cutout is an edge cut and the installation of the Grommet will fall within the perimeter of the tile, use the foam strip included in the Floor Mounting Kit.

Apply the foam strip to the exposed stringer on the cut side of the tile to provide an air block between the stringer and the bottom of the Grommet. See Figure 2.

If the cable cutout is an edge cut and the Grommet will overlap onto the adjacent tile, no foam strip is not necessary.

Figure 2



---

## General Information

### **Effective Installation of Cables**

In order to minimize any air loss from under the raised floor plenum, position cables along the centerline of the filaments in the KoldLok Grommet. Make sure to allow for adequate slack in the cables. If the cables are under too much tension, the filaments may be pulled apart, resulting in a V-shaped gap that will cause an increase in the volume of air escaping from under the floor.

---

## **Maintaining Proper Cooling of Equipment**

Failure to follow computer manufacturer's guidelines for maintaining proper cooling may result in the overheating of equipment. Before sealing cable cutouts, ensure that proper airflow to the intake side of computer equipment or cabinets is feasible through the use of devices such as perforated floor tiles. Achieving proper airflow to the intake side of computer equipment and/or cabinets is the responsibility of the customer. If the floor tile is cut prior to installing the KoldLok Surface Mount Grommet, the following instructions apply:

### ***Cutting Raised Floor Tiles***

Each raised floor tile manufacturer provides instructions to properly and safely modify their products. Installers must be familiar with and observe tile manufacturer's recommendations with regard to applicable tools, cutting procedures, the design load capacity of the cut tile, and any additional underfloor support requirements for cut raised floor tiles.

When installing the KoldLok Surface Mount Raised Floor Grommet on a newly cut hole, trim the cutout edge prior. The ideal dimension of the new cable cutout (including trim material) is 7 x 9 inches (178mm x 254mm).

### ***Safety Requirements***

Installers must be familiar with standard safety and risk management practices when working in raised floor environments and when modifying floor tiles.

---

## **Customer Support**

If you have any questions, please contact us at: (888) 982-7800, M-F, 9AM-5PM MST or email us at: [info@upsitetechnologies.com](mailto:info@upsitetechnologies.com)

**Upsite Technologies, Inc.**  
8100 Lang Avenue NE, Suite 301  
Albuquerque, NM 87109  
P: (505) 798-0200 | F: (505) 798-0236  
[www.upsite.com](http://www.upsite.com)

## Limited Warranty

**Upsite Technologies, Inc.** (the *Company*) warrants to the original purchaser that products delivered hereunder will be free of defects in materials and workmanship for a period of twelve (12) months from the date of purchase (the "Warranty Period").

The *Company* shall, at its option, within the Warranty Period, either repair or replace free of charge, any product or part thereof found, upon the *Company's* inspection, to be defective in materials and workmanship, and will return the repaired or replaced product to the purchaser at *Company's* expense.

For warranty service and shipping instructions, contact the *Company* at the telephone number shown below. If the product is under warranty and the defect appears to be covered by this Limited Warranty, the *Company* will issue to the purchaser a Notice of Authorization For Warranty Return. Products returned to the *Company* for warranty service must be accompanied by a statement of defect, the Notice of Authorization for Warranty Return provided by the *Company*, and proof of purchase.

This Limited Warranty is conditioned on the following:

1. The *Company* must be notified within 12 months of purchase and have been given the opportunity of inspection by return of any alleged defective product free and clear of all liens and encumbrances to the Company or its manufacturer; and
2. The product must not have been abused, misused, or improperly maintained, and/or repaired during such period; and
3. Such defect has not been caused by corrosion or exposure to other than ordinary wear and tear.

**The company makes no other express or implied warranty or representation of any kind whatsoever including any warranty of merchantability or fitness for a particular purpose and all such other warranties are hereby included.**

The *Company's* maximum liability hereunder is limited to the purchase price of the product. In no event shall the *Company* be liable for any consequential, indirect, incidental, or special damages of any nature arising from the sale or use of the product, whether based in contract, tort, strict liability, or otherwise.

Note: Some jurisdictions do not allow limitations on incidental or consequential damages or how long an implied warranty lasts, so that the above limitations may not fully apply. This warranty gives specific legal rights and you may also have other rights which may vary from jurisdiction to jurisdiction.

**For complete warranty and repair information, call (888) 982-7800 or (505) 982-7800.**



505.798.0200 [upsite.com](http://upsite.com)



800.868.8606  
[AccessFloorSystems.com](http://AccessFloorSystems.com)