



Split Integral Grommet

Item № 20100

Installation Guide

Table of Contents

Tools and Preparation Required for Installation

Installation Procedures

General Information

Warranty



Each carton contains the following items:

KoldLok Wave™ Grommets **(10)**

Self-Tapping #8 Screws **(40)**

Edge-Mount Foam Strips, 10-Piece Pad **(1)**

Installation Guide **(1)**

Cutout Template - available for download at www.KoldLokWave.com

Installation Guide

KoldLok Wave™ Split Integral Grommet

General Information

Effective Installation of Cables

In order to minimize any air loss from under the raised floor plenum, make sure to allow for adequate slack in the cables. If the cables are under too much tension, the grommet may be pulled apart, resulting in a gap that will cause an increase in the flow rate of air escaping from under the raised floor.

Maintaining Proper Cooling of Equipment

Failure to follow computer manufacturer's guidelines for maintaining proper cooling may result in the overheating of equipment. Before sealing cable cutouts, ensure that there is adequate air flow to the intake side of computer equipment or cabinets through devices such as perforated floor tiles or grates. Achieving proper airflow to the intake side of computer equipment and/or cabinets is the responsibility of the customer.

Safety Requirements

Installers must be familiar with standard safety and risk management practices when working in raised floor environments and when modifying floor tiles.

An optional cover is available to ensure greater safety before rack and cable installation.

Customer Support

If you have any questions, please contact us at:
(888) 982-7800, M-F, 9AM-5PM MST or email
us at: info@upsite.com

Upsite Technologies, Inc.
8100 Lang Avenue NE, Suite 301
Albuquerque, NM 87109
P: (505) 798-0200 | F: (505) 798-0236

Installation Guide

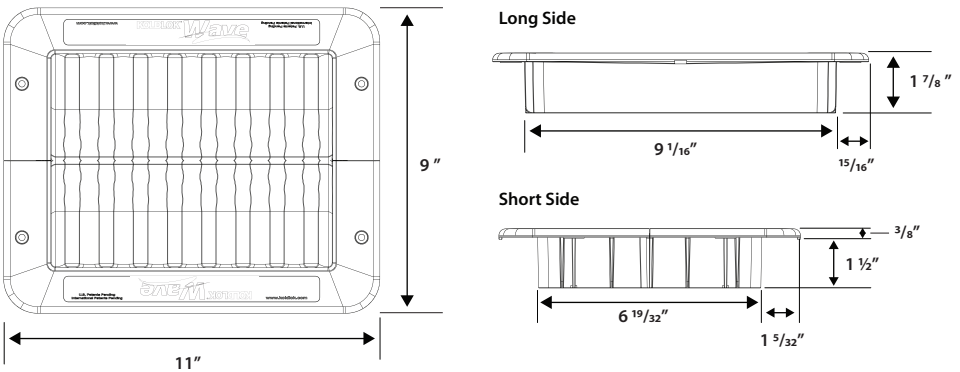
KoldLok Wave™ Split Integral Grommet

Tools and Preparation Required for Installation

Tools Required:

- Phillips head screwdriver or drill
- Cutting tool (per floor tile manufacturer recommendations)
- Tape measure

Product Drawings



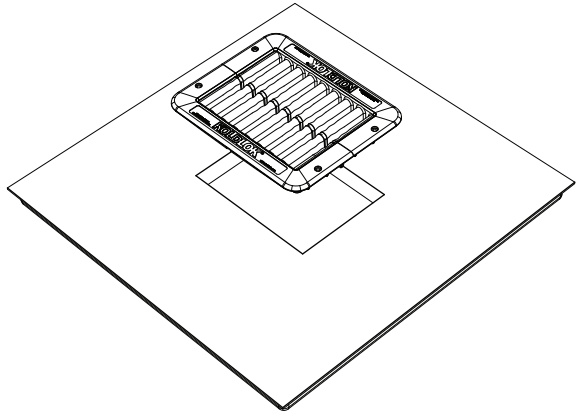
Cutting Raised Floor Tiles

Each raised floor tile manufacturer provides instructions to properly and safely modify their products. Installers must be familiar with and observe tile manufacturer's recommendations with regard to applicable tools, cutting procedures, the design load capacity of the cut tile, and any additional underfloor support requirements for cut raised floor tiles.

Installation Procedures

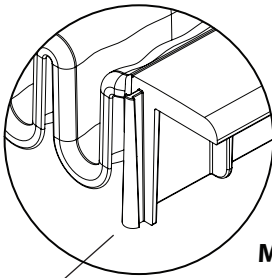
Installation of KoldLok Wave™ on the Tile Interior

1. Make a $9\frac{1}{4} \times 6\frac{3}{4}$ " ($\pm \frac{1}{8}$ ") cutout or 235mm x 171mm (± 3 mm) in the floor tile. A cutout template is available for download at www.KoldLokWave.com. Ensure that any burrs that resulted from cutting the floor tile have been removed. It is not necessary to dress the cutout when installing a KoldLok Wave™ Split Integral grommet.
2. Test-fit KoldLok Wave™ to the floor tile by making the flange flush with the top side of the floor tile. Ensure there is no binding and that the fit is even on the grommet.
3. With the grommet properly placed in the floor tile, fasten it securely to the floor tile using the self-tapping screws. Do not over-torque the screws.



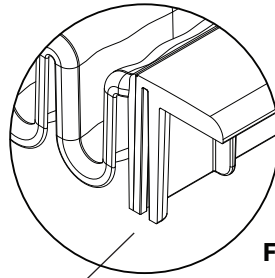
Assembling Grommet Around Cable Bundles

1. Separate KoldLok Wave™ unit at the seam by sliding the female side up off of the male side.
2. Place male section on the floor, back edge first.
3. Re-assemble unit at the seam around cables following the above installation instructions.



Male

Tapered pin fits into tapered hole on opposing part



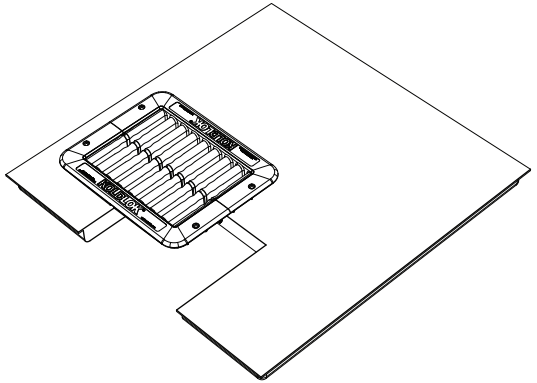
Female

Joining clip fits into matching pockets on both halves

Installation of KoldLok Wave™ on the Tile Edge—Long Edge of Grommet

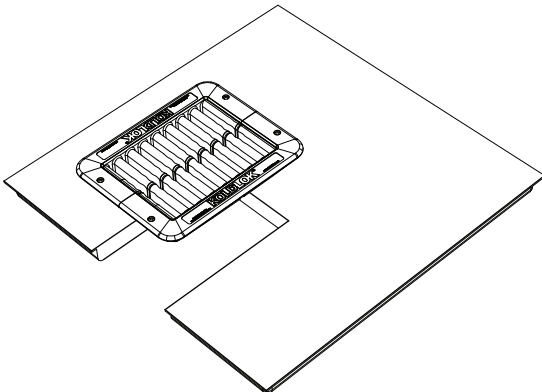
In the absence of a supporting floor tile flange, edge-mount installations require a foam insert on the open side of the cut to serve as a gasket. If the hole in your floor tile has been cut on three sides only, providing one open edge, the grommet must be installed with the supplied foam strip inserted into the molded depression on its underside.

1. Provide a $9\frac{1}{4} \times 7\frac{1}{2}$ " ($\pm \frac{1}{16}$ "") cutout or 235mm x 200mm (± 2 mm) in the floor tile. Ensure that any burrs that resulted from cutting the floor tile have been removed. A cutout template is available for download at www.KoldLokWave.com. It is not necessary to dress the cutout when installing a KoldLok Wave™ Split Integral Grommet.
2. Stretch the supplied foam strip to fill the 9" depression on the underside of the grommet.
3. Test-fit KoldLok Wave™ to the floor tile, with flange on the top side of the floor tile. Ensure there is no binding and that the fit is even on the grommet.
4. With the grommet properly placed in the floor tile, fasten it securely to the floor tile using the self-tapping screws. Do not over-torque the screws.



Installation of KoldLok Wave™ on the Tile Edge—Short Edge of Grommet

The KoldLok Wave™ Split Integral Grommets may also be installed with the short side mounted along the floor tile edge. Make a $10\frac{1}{8} \times 6\frac{3}{4}$ " ($\pm \frac{1}{16}$ "") cutout or 257mm x 171mm (± 2 mm). Follow the same cleaning and fastening steps as above.



Limited Warranty

Upsite Technologies, Inc. (the *Company*) warrants to the original purchaser that products delivered hereunder will be free of defects in materials and workmanship for a period of twelve (12) months from the date of purchase (the "Warranty Period").

The *Company* shall, at its option, within the Warranty Period, either repair or replace free of charge, any product or part thereof found, upon the *Company's* inspection, to be defective in materials and workmanship, and will return the repaired or replaced product to the purchaser at *Company's* expense.

For warranty service and shipping instructions, contact the *Company* at the telephone number shown below. If the product is under warranty and the defect appears to be covered by this Limited Warranty, the *Company* will issue to the purchaser a Notice of Authorization For Warranty Return. Products returned to the *Company* for warranty service must be accompanied by a statement of defect, the Notice of Authorization for Warranty Return provided by the *Company*, and proof of purchase.

This Limited Warranty is conditioned on the following:

1. The *Company* must be notified within 12 months of purchase and have been given the opportunity of inspection by return of any alleged defective product free and clear of all liens and encumbrances to the *Company* or its manufacturer; and
2. The product must not have been abused, misused, or improperly maintained, and/or repaired during such period; and
3. Such defect has not been caused by corrosion or exposure to other than ordinary wear and tear.

The *Company* makes no other express or implied warranty or representation of any kind whatsoever including any warranty of merchantability or fitness for a particular purpose and all such other warranties are hereby included.

The *Company's* maximum liability hereunder is limited to the purchase price of the product. In no event shall the *Company* be liable for any consequential, indirect, incidental, or special damages of any nature arising from the sale or use of the product, whether based in contract, tort, strict liability, or otherwise.

Note: Some jurisdictions do not allow limitations on incidental or consequential damages or how long an implied warranty lasts, so that the above limitations may not fully apply. This warranty gives specific legal rights and you may also have other rights which may vary from jurisdiction to jurisdiction.

For complete warranty and repair information call (888) 982-7800.

Register your product online at www.upsite.com/warranty to extend your warranty to 28 months.



505.798.0200 upsite.com



800.868.8606
AccessFloorSystems.com